

P/N:

SSMMH4700

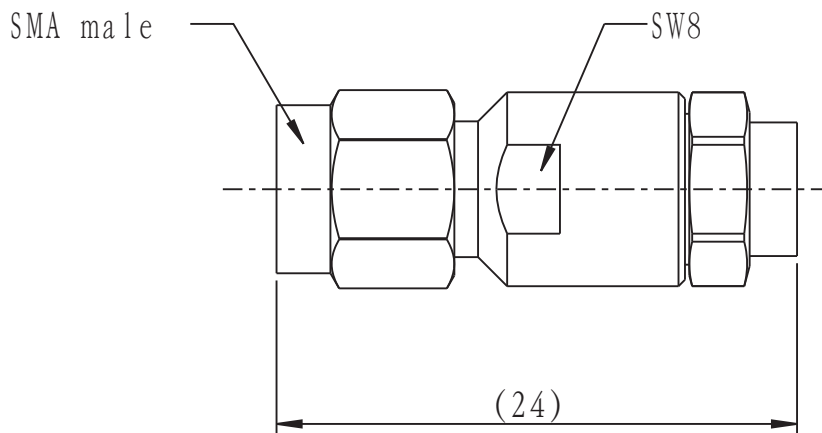


Description:

SMA male connector for 47group cable



1:1

*Electrical Data**Materials**Enviromental Data*

Impedance :50 ohm

Housing: Stainless steel;
passivated

Temp:-55 - +135

Frequency:DC-18GHz

Center Contact:Brass;
Gold PlatedVibration:MIL-STD
202 214A

VSWR:1.25Max 18GHz

Center Capture: PTFE

Thermal shaock:MIL-STD
202 107G

IL:0.06sq(f_GHz)

Nut:Stainless steel;
passivated2011/65/EU (RoHS):
compliant

proprietary information: the information with this data sheet is proprietary and shall not be used for disclosed without prior written permission from CAC Technology .

Date:

2014.8.13

www.cac-mall.com

Drawn:

Rudy Sun

Check:

Donglv Wang

Appr:

Rugang Hu

Tel: 0086-551-63718423

Fax: 0086-551-63718413

Email: sales@cactechnology.com

Website: www.cactechnology.com