

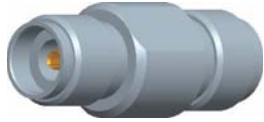
P/N:

A29F24F00

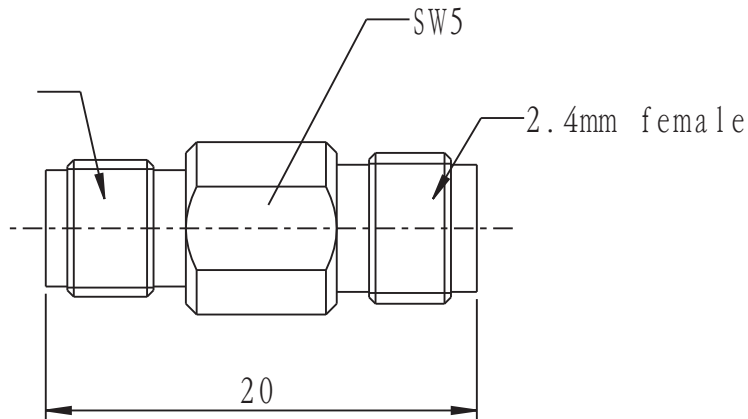


Description:

2.92mm female to 2.4mm female adapter



2:1 2.92mm female



<i>Electrical Data</i>	<i>Materials</i>	<i>Environmental Data</i>	<i>Mechanical Data</i>
Impedance :50 ohm	Housing: Stainless Steel; Passivating	Salt Spray Test:48h	Mating Cycles:500
Frequency:DC-40GHz	Contact female:BeCu; Gold Plated	Vibration:MIL-STD 202 214A	Coupling Proof Torque: 1.7N.m
VSWR:1.25Max 40GHz	Contact male:Brass; Gold Plated	Thermal shock:MIL-STD 202 107G	Coupling Nut Retention: 269N min
IL:0.06sq $t(f_{GHz})$	Center Capture: PEI	Weight:11g	Center Contact Captivation: 22N min
Dielectric Withstanding Voltage:1000V	Nut: Stainless Steel; Passivating	Temp:-55 - +135	Force to Engagement:0.23N.m
Insulation Resistance: 5000Mohm	Clasp:QSn6.5-0.1 (Bronze)	2011/65/EU (RoHS): compliant	Force to Disengagement:N/A

proprietary information: the information with this data sheet is proprietary and shall not be used for disclosed without prior written permission from CAC Technology .

Date:	2014.8.13	<a href="http://www.cac-mall.com">www.cac-mall.com</a> Tel: 0086-551-63718423 Fax: 0086-551-63718413 Email: sales@cactechnology.com Add: National University Science Park, No602, Huangshan Rd, Hefei, Anhui, China(230088)
Drawn:	Rudy Sun	
Check:	Donglv Wang	
Appr:	Rugang Hu	